



Business Line  
Sandwichpanelen  
*by Cladding Point*

## DELTA-AR

PIR hardfoam (*visible confirmation*)

Sandwich panels  
Roof and facade applications

Technical Information

# DELTA-AR

PIR hardfoam (visible confirmation)

**Business Line**  
Sandwichpanelen  
*by Cladding Point*



## DISCOVER AND EXPERIENCE

DELTA-AR is a visibly attached hard foam sandwich panel from our Business Line range with a standard working width of 1000mm. The sandwich panel is available in a trapezium profile (exterior) and 3 (interior) profiles. With this product we contribute to the Circular Construction Economy. Discover the possibilities in Simplicity and Security.



For the Climate



Responsible business



Circular Construction Economy



Building together

At Cladding Point we take responsibility, that's why we work hard on things that really matter. By using responsible materials in our sandwich panels, we strive for a Circular Construction Economy.

And how we work with our suppliers? We ensure that we have a positive impact on everyone we do business with, based on fairness and equality.

We realize that it will not be easy, but waiting is not an option. Together we build a better future.

### Working width

This product is available as standard in a working width of 1000mm.

### Thermal efficiency

DELTA-AR has a hard foam core with PIR technology. This with a density of 40kg/m<sup>3</sup>, completely HCFC-free. The insulation values of the sandwich panels have been calculated in accordance with NEN-EN 10211-1, NTA 8800 and EN 14509 (including fasteners, transition resistors and construction quality correction factor).

### Fire class

DELTA-AR complies with the European fire classification B-s2-d0 in accordance with EN 13501-1. Product complies with Broof. Classification based on the results of testing the fire hazard of roofs, in accordance with EN 13501-5. This product is equipped with an FM approval hard foam core.

### Air permeability

The air permeability with regard to the seam connection in accordance with EN 12114.

Positive (+)		Negative (-)	
C	1,2824	C	0,3920
n	0,1683	n	0,2373

C = Air flow coefficient  
n = Air flow exponent

A.d.h.v. the above assessment we can conclude that the contribution of the sandwich panels, i.e. the mutual seam connection, the total air permeability of a building is limited.

To meet the requirements, it is particularly important that extra attention is paid to finishing the connecting joints with other materials. This includes window and door frames, penetrations, other facade and day openings, floor and roof connections and the like.

The building decree only sets requirements at building level. This concerns the so-called qv10 value. I.e. the leakage loss through the complete building envelope in dm<sup>3</sup>/s per m<sup>2</sup> of usable area.

There are therefore no specific requirements for the facade panels (individual materials). This product meets the highest requirements in accordance with the Building Decree.

### Water

Water vapor permeability is impermeable. Water permeability Class A-1200 Pa.

### Statics

To correctly determine the static capabilities of this product, please contact our technology department. We advise you to use skullcaps.

### Environment

The DELTA-AR sandwich panels can be used in the Environmental Performance calculation.

The data for this can be found in the National Environmental Database at [www.milieudatabase.nl](http://www.milieudatabase.nl). We also have the BES 6001 (Excellent) certificate. Ask for the possibilities.

### Management systems

The DELTA-AR sandwich panels are produced under the following management systems; EN ISO 9001, EN ISO 45001 and EN ISO 14001



### Circular Construction Economy

Cladding Point believes it is important that the Circular Construction Economy is also measurable. That is why we have chosen to draw up an EPD for our products.

An EPD (Environmental Product Declaration) gives the customer insight into how sustainable our sandwich panels are. In the Netherlands we also use the EPDs to calculate how much environmental damage a building causes compared to its surroundings. This is done in the environmental performance for buildings calculation, also known as the MPG.

By selecting this sandwich panel you reduce the environmental damage of your building. What is special is that our products have an EPD with a category I card that complies with the regulations of the RVO. This is the highest achievable level.

When you apply this product in a circular building you can achieve substantial tax benefits. Ask to the possibilities.



If you choose this sandwich panel in combination with our circular Cirpa® concept, you will reduce costs considerably the environmental damage and you will achieve a better result in an MPG calculation. By adopting circularity show that we achieve the highest possible level in the field of sustainability! This unique data is included in a unique EPD sheet that belongs to this product as soon as you choose the Cirpa® concept.

When you use this sandwich panel in a circular building, the building owner can directly achieve substantial tax benefits through the MIA subsidy from the RVO. The Cirpa® concept does not apply to this product as standard. Ask about the options or visit [www.cirpa.nl](http://www.cirpa.nl).

### General certifications

DELTA-AR is manufactured from the highest quality materials and meets the strictest standards and quality controls. This product is CE and Dibt (zulassung) certified.

### Lengths

Product Lengths	Possible up to 18.500mm
Length (standard)	2.000mm - 13.500mm
Length* (not standard)	400mm - 2.000mm 13.500mm - 18.500mm

\* Hiervoor kunnen additionele kosten en transporttoelagen van toepassing zijn. Vraag naar de mogelijkheden en voorwaarden.

### Toleranties

Façade Connection (2mm)	+2mm	-2mm
Length ≤3000mm	+5mm	-5mm
>3000mm	+10mm	-10mm
Working width	+2mm	-2mm
Thickness (d)≤100mm	+2mm	-2mm
(d)>100mm	+2%	-2%
Squareness (s)	<0,6%	

Tolerances are in accordance with EN 14509

### Exterior coatings

Terracoat 27µm is a durable and aesthetically pleasing product and delivers good performance. The UV resistance (RUV3) and increased corrosion protection (RC3) ensure good colour retention.

Granite® HDX (type G) 55µm is a technical, durable and aesthetically high-quality product and delivers very good performance. Excellent UV resistance (RUV4) and increased corrosion protection (RC5) ensure excellent colour retention.

### Standard interior coatings

The base coating is polyester 25µm and suitable for standard indoor environments. This interior coating made of polyester (PE) can be used on facades, roofs and ceilings, related parts and accessories.

The interior coating can also be carried out on request in a suitable coating for the food sector, agricultural sector, wet areas and an aggressive environment. On request, this product is also available in stainless steel 304/316.

### Complete overview of coatings/colours

View our colour palette for all options.

### Guarantee

Standard 10 year manufacturer's warranty on structural and thermal performance. Coating warranty with a possibility of up to 40 years (depending on the type of coating and project-specific information).

Project-specific guarantees are possible and upon request.

### Deliveries

Our deliveries from the Business Line are unloaded free of charge and are largely transported by... road transport and are based on Lean and Green and Euro 6-7.

### Assembly instructions

Our installation instructions can be downloaded from our website or available from Cladding Point Technical Services. The 3-D models are included in the Tekla library: [www.tekla.com](http://www.tekla.com)

### Product name

The product name of our manufacturer ARpanel for this product is D PIR and is stated as such on the relevant certificates. Ask about the conditions and possible additional costs for the above-mentioned certifications.

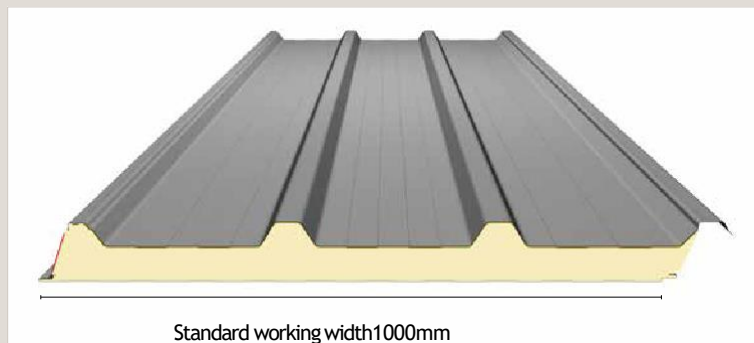
### General

If used as a facade; ask for the conditions.

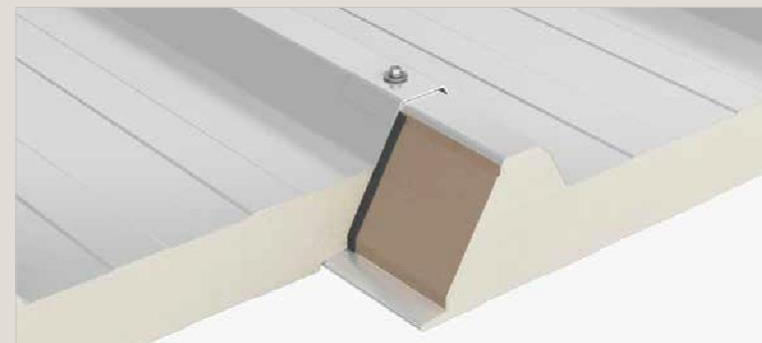
Technical Properties

DELTA-AR						
Thickness (mm)	40/80	60/100	80/120	100/140	120/160	160/200
Total panel weight (kg/m <sup>2</sup> ) Outer plate thickness 0.5 mm Inner plate thickness 0.5 mm	10,50	11,30	12,10	12,90	13,70	15,30
Noise reduction (Rw (C,Ctr) dB)	~25 (-1;-4)	~25 (-1;-4)	~25 (-1;-4)	~25 (-1;-4)	~25 (-1;-4)	~25 (-1;-4)
Rc-Value (m <sup>2</sup> .K/W), NTA 8800	1,93	2,93	3,94	4,94	5,94	7,96

Cross Section Panel

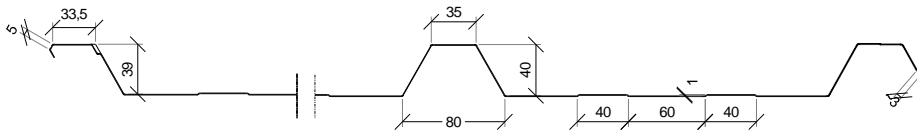


Connection (visible confirmation)

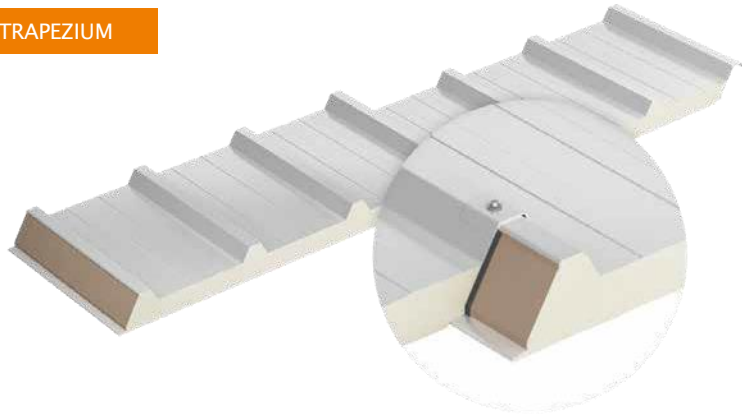


# The Profiling

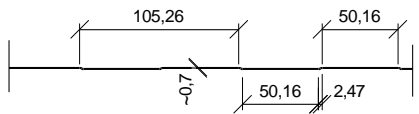
**DELTA-AR** PIR hardfoam *(visible confirmation)*



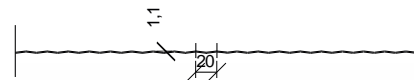
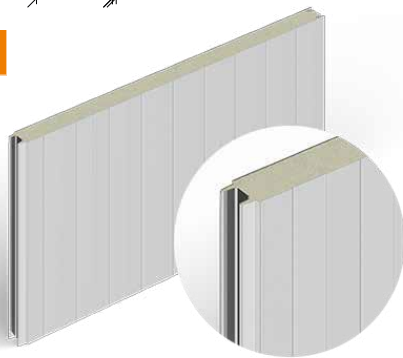
**TRAPEZIUM**



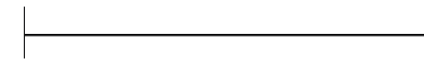
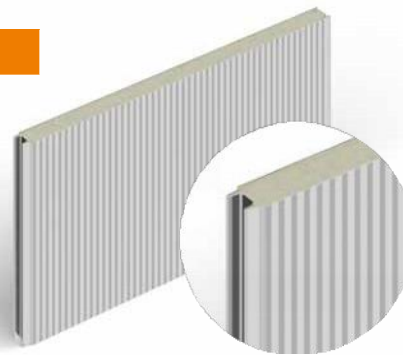
PROFILING	EXTERIOR	INTEIOR
Trapezium	Yes	No
Box	No	Yes
Rib 20	No	Yes
Unprofiled	No	Yes



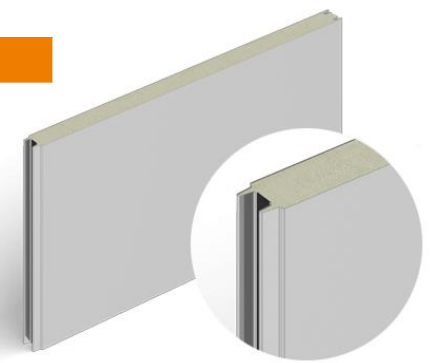
**BOX**



**RIB 20**



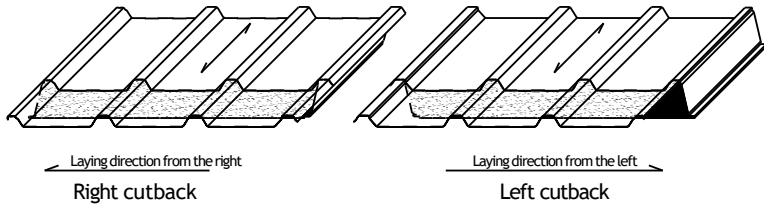
**UNPROFILED**



**Business Line**  
Sandwichpanelen  
*by Cladding Point*

# DELTA-AR PIR hardfoam (visible confirmation)

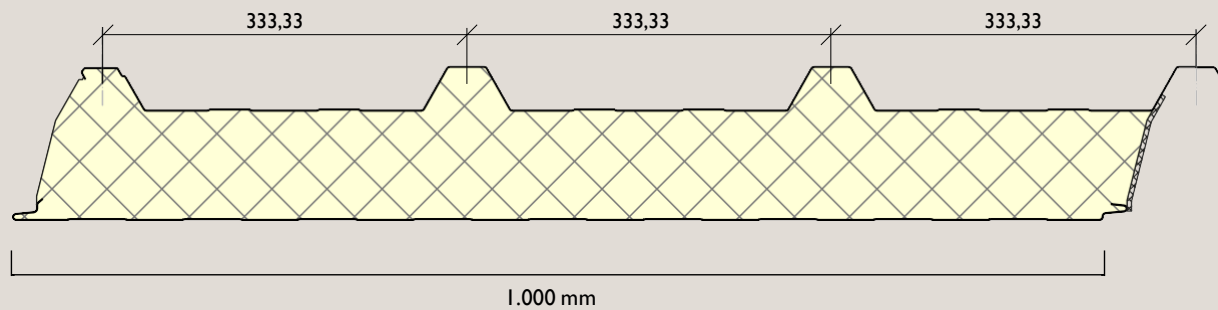
Standard Cut-back options (50-100-150-200-250-300mm). If different dimensions are required, this is available on request.



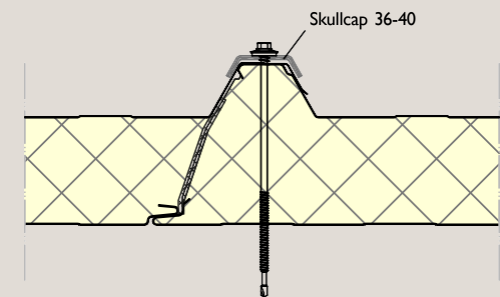
NB! This is not a clean cut-back by default, only sawn. Clean Cut-back is possible on request.



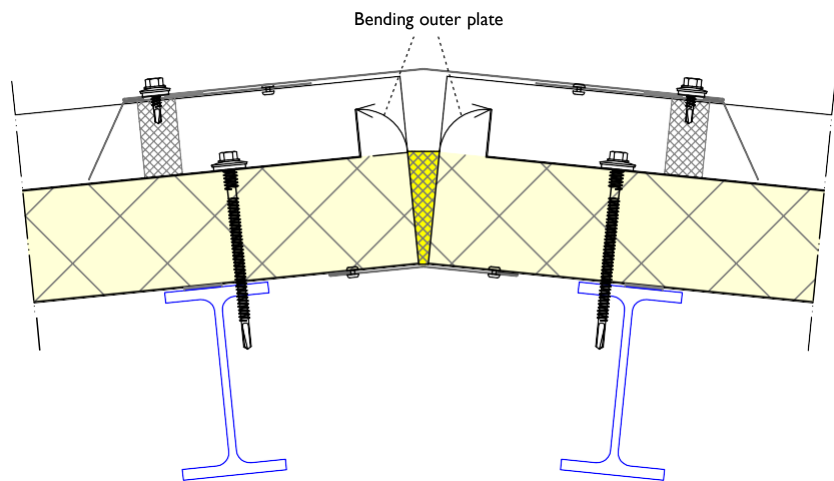
## Intersection



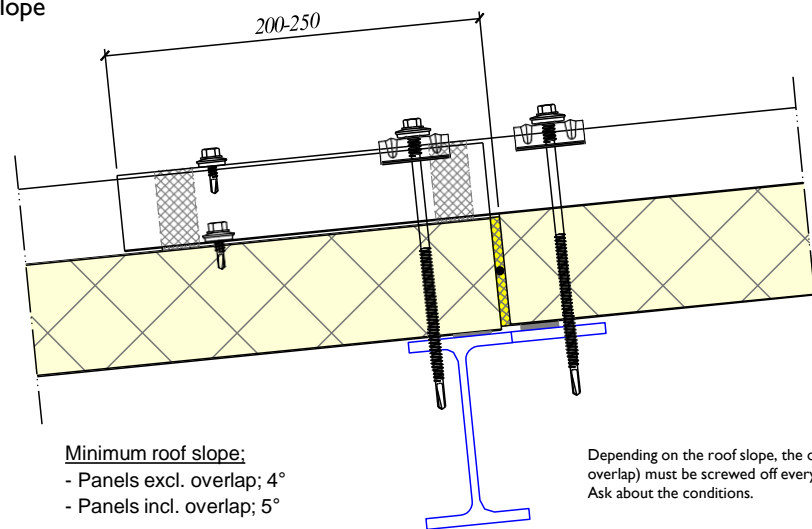
## Confirmation (visible confirmation)



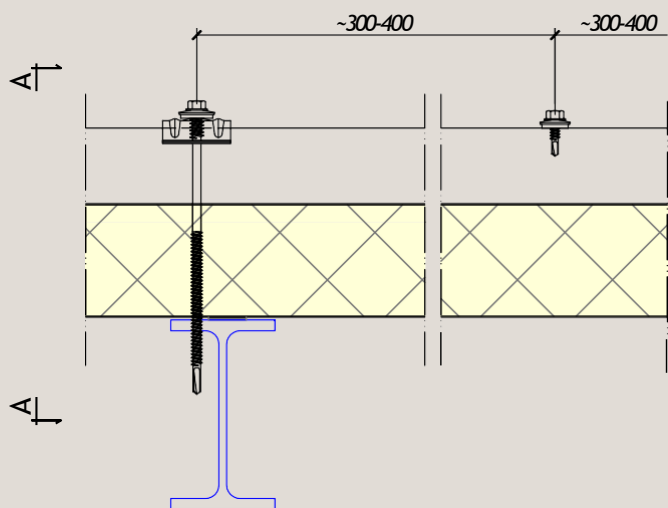
Ridge detail



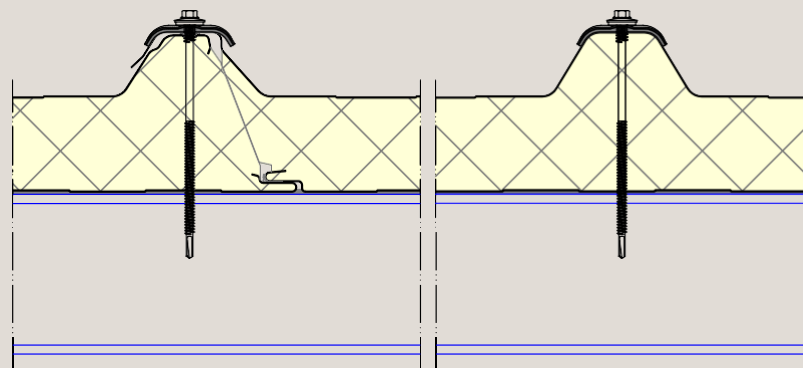
Roof slope



Intersection A-A



Intersection A-A









**Do you want to know more?**

**Cladding Point is continuously improving and testing its products. New test results are added on a regular basis. Should the desired specifications, with any associated conditions, apply to your project applies, are not included in the manual, please contact the technical department for the options and/or the latest status. In many cases we can offer you a suitable solution.**

**Business Line**  
Sandwichpanelen  
*by Cladding Point*

Platinum Panel Systems  
T: +44 (0) 1744 747 580  
E: [info@platinumpanelsystems.com](mailto:info@platinumpanelsystems.com)